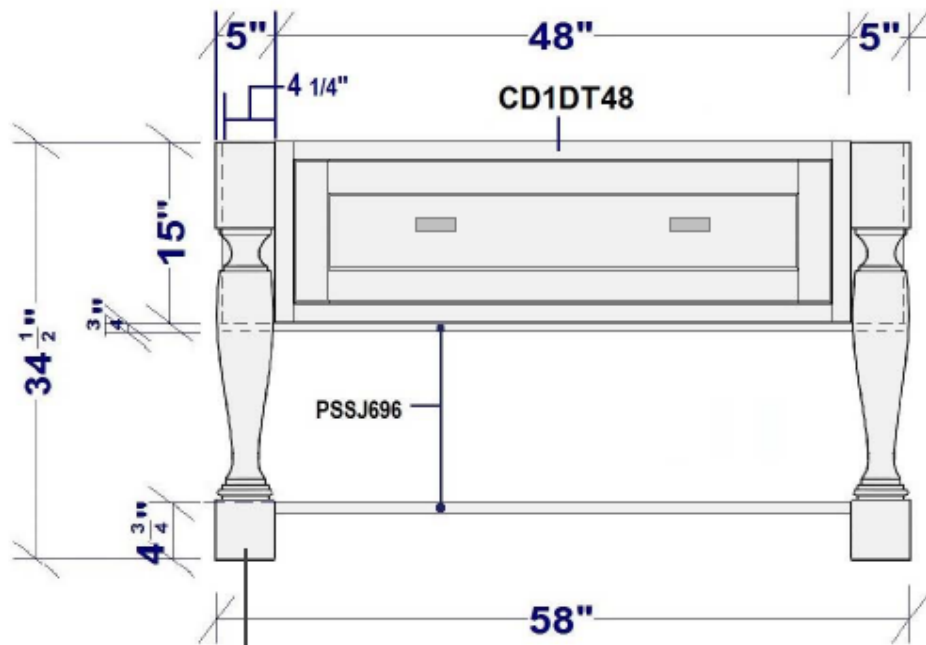


Medallion[®]



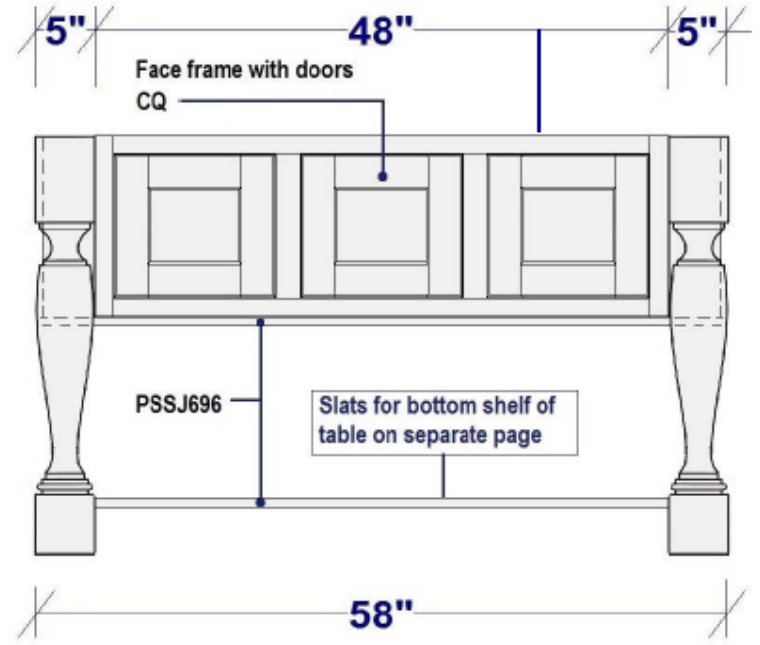
Providence Island Detail
Providence maple Dove Appaloosa

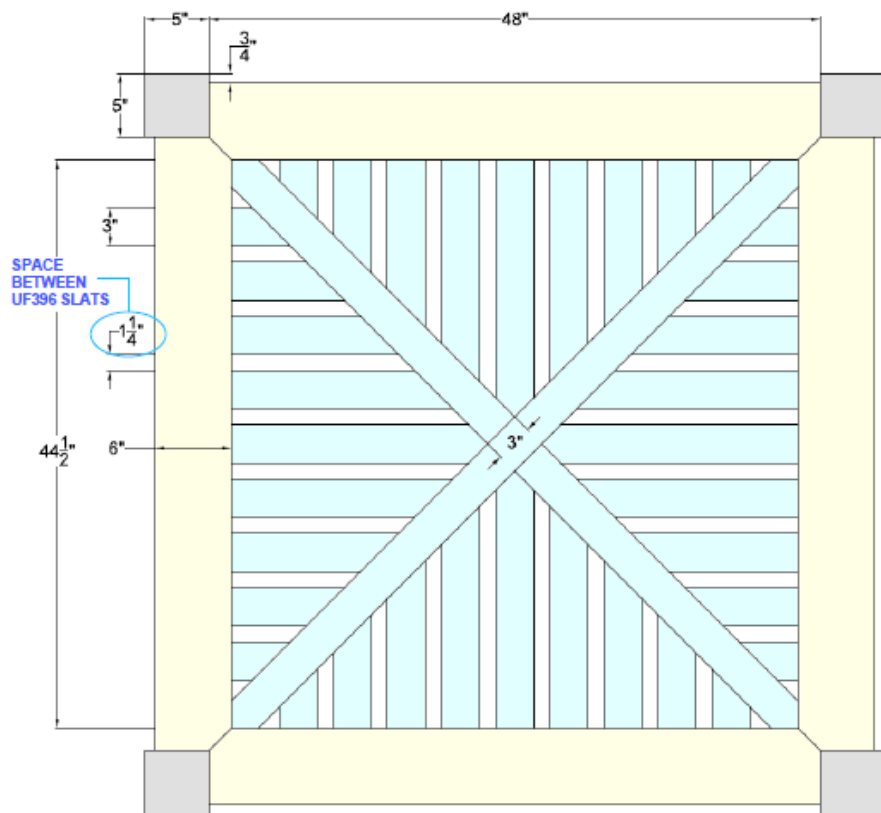





TRNLEGN (4 QTY)

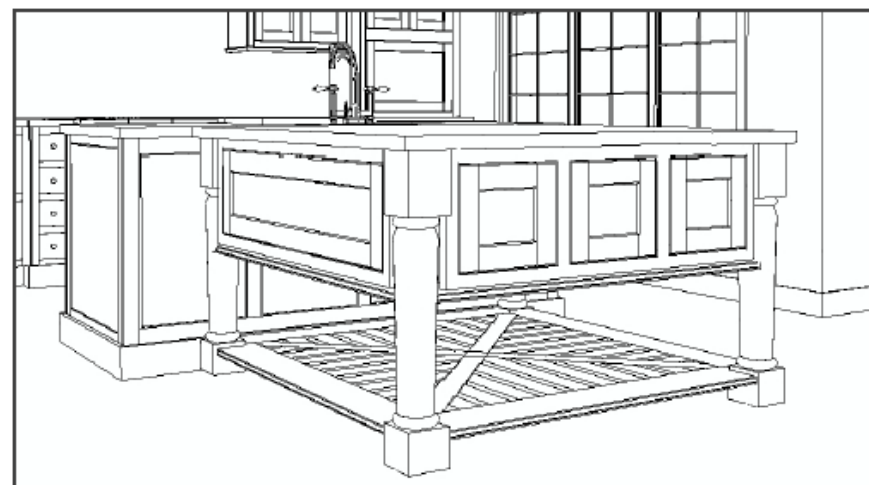
NOTE:

Install PSSJ696 so front edges align (below cabinets directly and at bottom shelf).
 Cope material around leg profile; PSSJ should not extend past leg profile.
 Finished side faces up. Back edge will require touch up on lower slat shelf.





-  **PSSJ696** – Profiled edge faces out
NOTE: Finish back edge using touch-up materials
-  **UF396**
-  **TRNLEGN**



Medallion[®]